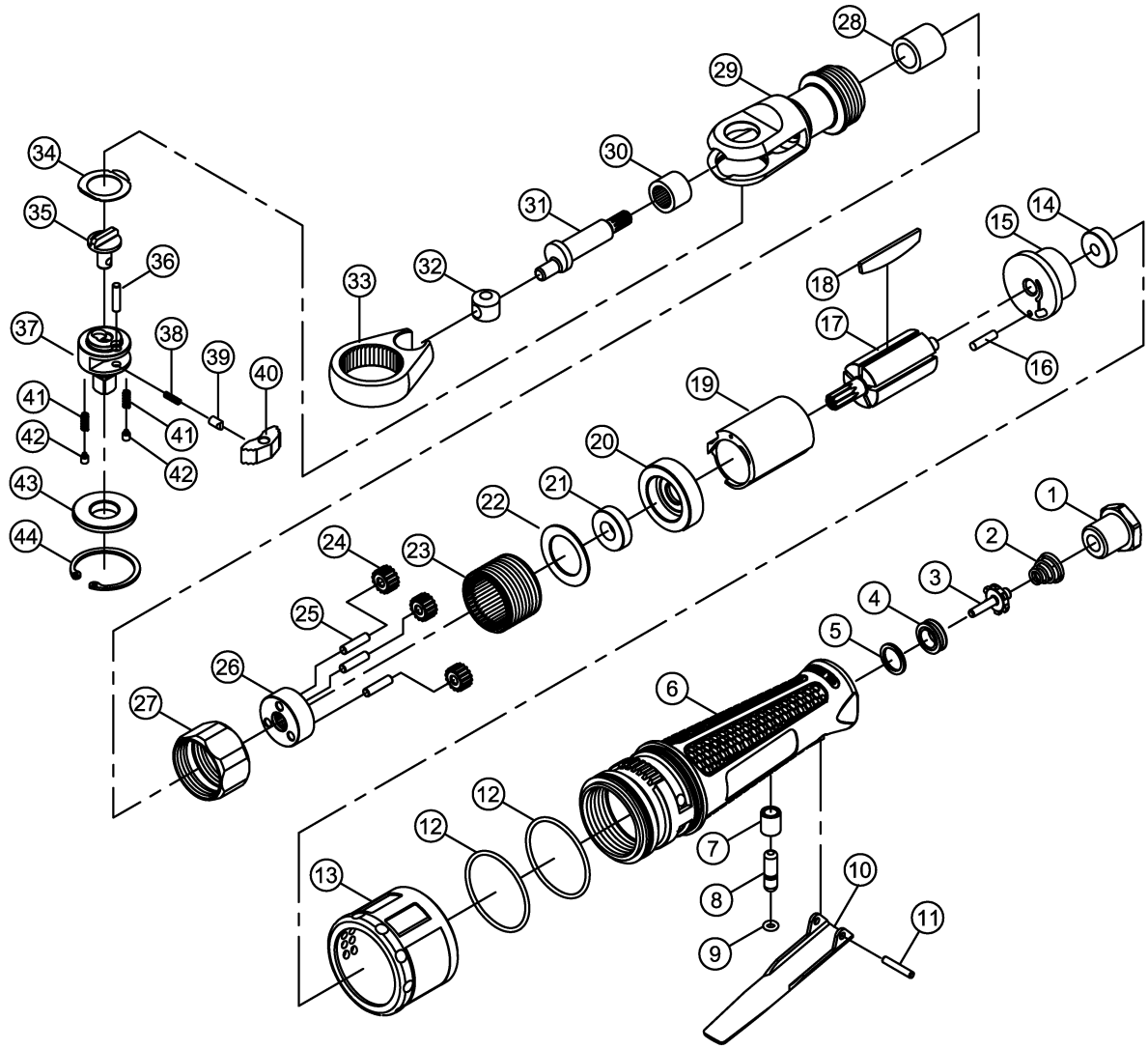


OS-8612L **GAV** HAVALI CIRCIR MOTORU 1/2"



INDEX NO.	PARTS NO.	DESCRIPTION	Q'TY	INDEX NO.	PARTS NO.	DESCRIPTION	Q'TY
01	872401	AIR INLET	1	25	633821	GEAR PIVOT	3
02	872402	VALVE SPRING	1	26	863827L	GEAR PLATE	1
03	872422	VALVE	1	27	863828L	CLAMP NUT	1
04	872423	VALVE SEAT	1	28	863829L	BUSHING	1
05	872403	VALVE SPACER	1	29	863830L	RATCHET HOUSING	1
06	863801	MOTOR HOUSING	1	30	B1212	NEEDLE BEARING(□18x12x12)	1
07	872430	BUSHING	1	31	863832L	CRANK SHAFT	1
08	863805	VALVE STEM	1	32	863834	DRIVE BUSHING	1
09	638013	O-RING	1	33	863835	RATCHET YOKE	1
10	863802	THROTTLE LEVER	1	34	863835L	WASHER	1
11	863803	SPRING PIN	1	35	863836L	REVERSE BUTTON	1
12	863849	O-RING	2	36	863842	PAWL PIVOT	1
13	863822	DEFLECTOR	1	37	863838L-3	3/8" RATCHET ANVIL	1
14	B626Z	BALL BEARING	1	38	863839L	SPRING	1
15	863811	REAR END PLATE	1	39	863840L	SPRING CAP	1
16	308013	SPRING PIN	1	40	863841	RATCHET PAWL	1
17	863818L	ROTOR	1	41	863844	FRICTION SPRING	2
18	633816-CH6	ROTOR BLADE	5	42	863843L	STEEL POST	2
19	633817N	CYLINDER	1	43	863847-3	3/8" THRUST WASHER	1
20	863817	FRONT PLATE	1	44	863848	ANVIL RETAINING RING	1
21	B608ZZ	BALL BEARING	1				
22	863823L	WASHER	1				
23	863824L	INTERNAL GEAR	1	*37	863838L-4	1/2" RATCHET ANVIL	1
24	863825L	PLANET GEAR	3	*43	863847-3	1/2" THRUST WASHER	1